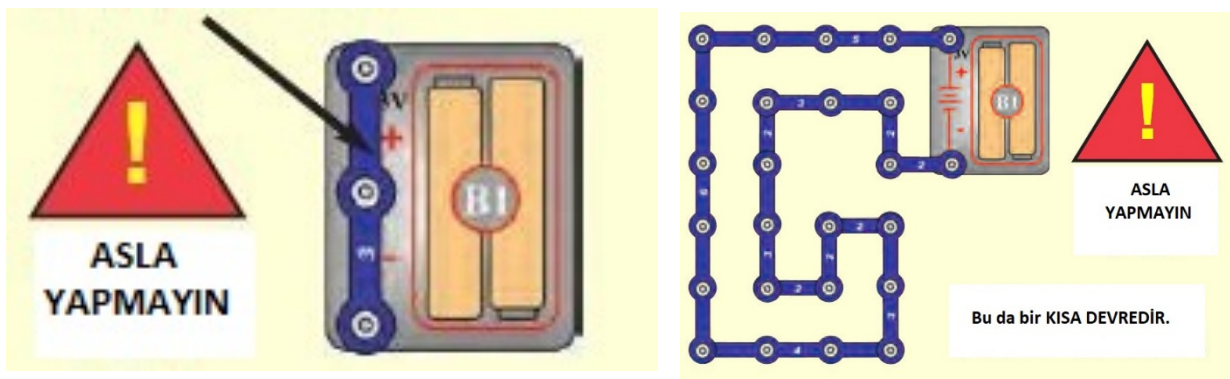


Snap Circuit

Basic electronic materials are introduced.

Qty.	ID	Name	Symbol	Part #	Qty.	ID	Name	Symbol	Part #
□ 1		Base Grid (11.0" x 7.7")		6SCBG	□ 1	(D1)	Red Light Emitting Diode (LED)		6SCD1
□ 3	(1)	1-Snap Wire		6SC01	□ 1	(L1)	2.5V Lamp		6SCL1
□ 6	(2)	2-Snap Wire		6SC02	□ 1	(B1)	Battery Holder - uses 2 1.5V type AA (not included)		6SCB1
□ 3	(3)	3-Snap Wire		6SC03	□ 1	(SP)	Speaker		6SCSP
□ 1	(4)	4-Snap Wire		6SC04	□ 1	(U1)	Music Integrated Circuit		6SCU1
□ 1	(5)	5-Snap Wire		6SC05	□ 1	(U2)	Alarm Integrated Circuit		6SCU2
□ 1	(6)	6-Snap Wire		6SC06	□ 1	(U3)	Space War Integrated Circuit		6SCU3
□ 1	(WC)	Whistle Chip		6SCWC	□ 1	(M)	Motor Fan		6SCM1 6SCM1F
□ 1	(S1)	Slide Switch		6SCS1	□ 1	(R1)	100Ω Resistor		6SCR1
□ 1	(S2)	Press Switch		6SCS2	□ 1		Jumper Wire (Black)		6SCJ1
					□ 1		Jumper Wire (Red)		6SCJ2
□ 1	(RP)	Photoresistor		6SCRP	You may order additional / replacement parts at our website: www.snapcircuits.net				

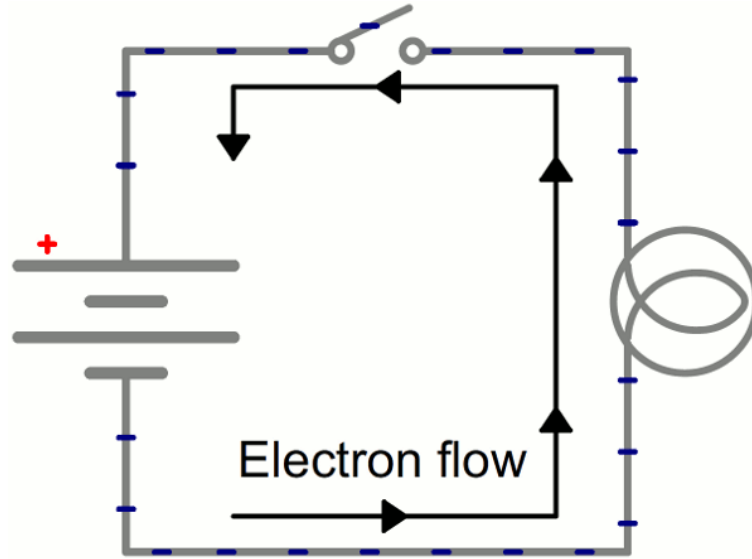
Short circuit is explained. Electric current always chooses the path without resistance. The resistance of the cable is less than the resistance of the lamp. That's why current flows through the cable. Short circuit examples are shown in the snap circuit installation.



Sample project studies are started.

Project : Electric Light & Switch

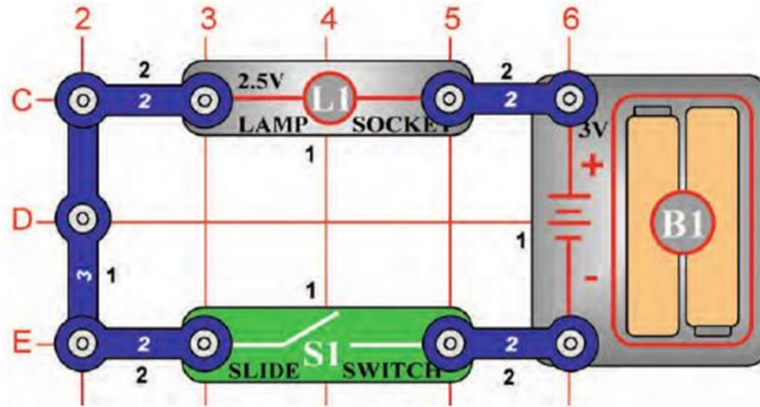
Purpose: To show that electricity is turned on and off with an electrical switch



Materials to be Used in the Project:

- Base Grille
- S1 Electrical Switch
- Battery Holder
- Lamp
- 4 double snap wires
- 1 triple snap wire

Circuit Wiring Diagram:



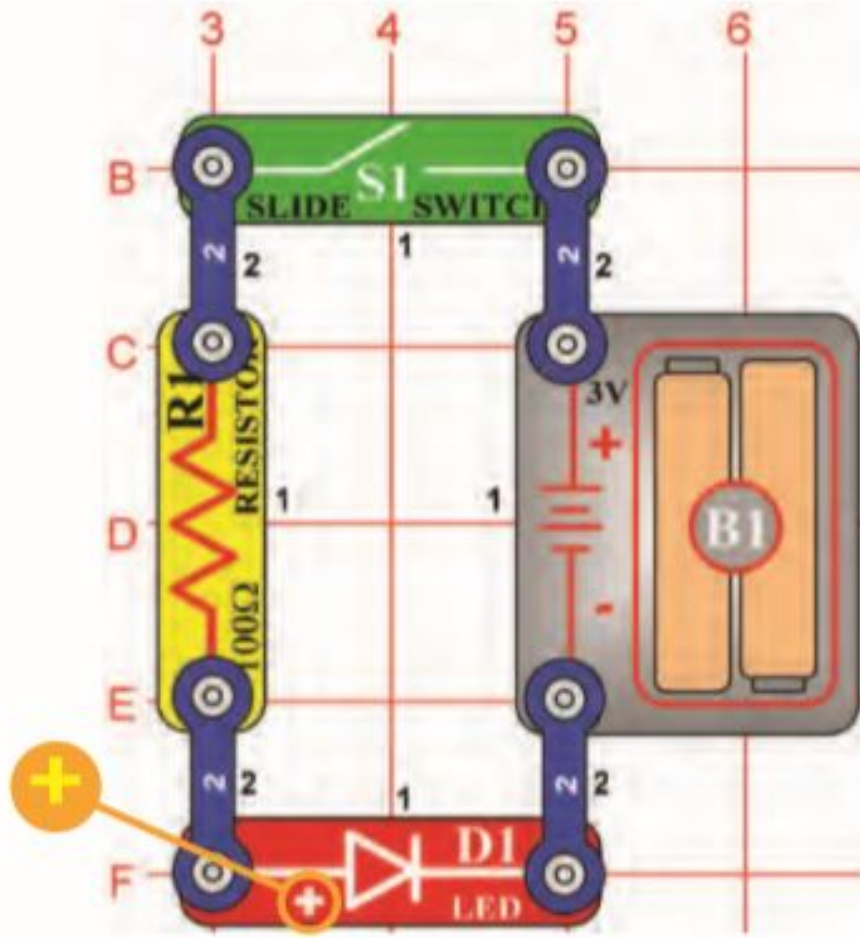
Project : Light Emitting Diode

Purpose: To show that electricity is turned on and off with an electrical switch

Materials to be Used in the Project:

- Base Grille
- S1 Electrical Switch
- R1 100 ohm Resistor
- Red Light Emitting Diode (LED)
- Battery Holder
- 4 double snap wires

Circuit Wiring Diagram:



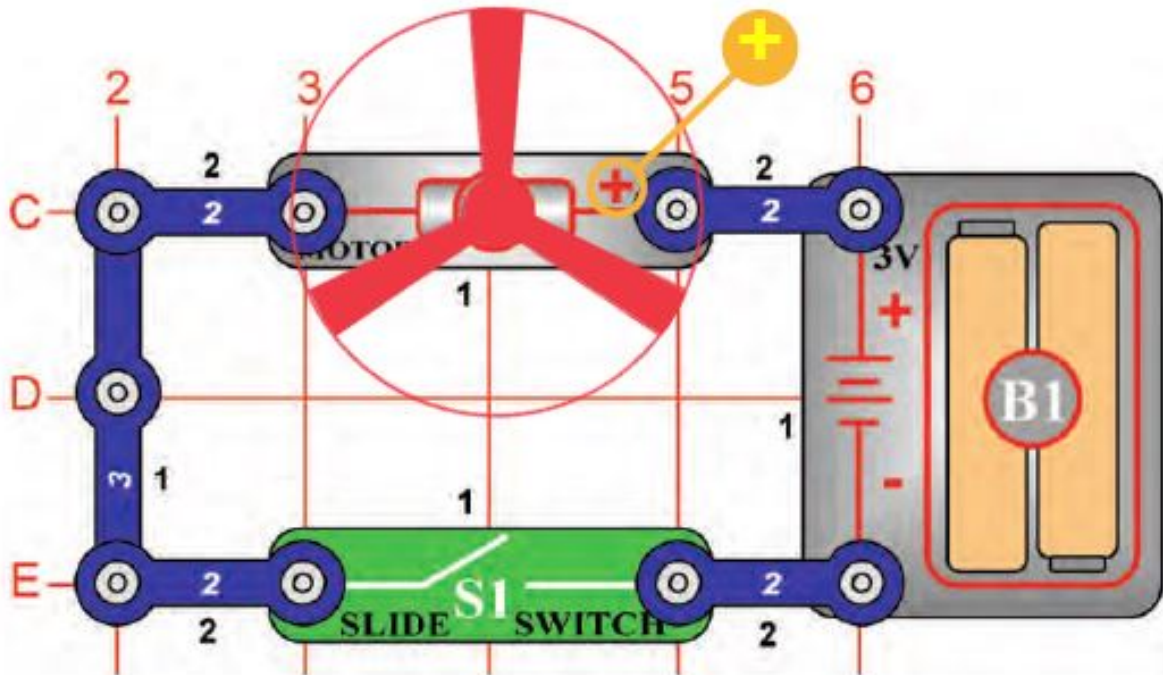
Project : Dc Motor & Switch

Purpose: To show how electricity is used to run a direct current (DC) motor.

Materials to be Used in the Project:

- Base Grille
- S1 Electrical Switch
- Battery Holder
- DC Motor
- Propeller
- 4 double snap wires
- 1 triple snap wire

Circuit Wiring Diagram:



Project : Voice Operated Switch

Purpose: To demonstrate how sound can turn on an electronic device.

Materials to be Used in the Project:

- Base Grille
- S1 Electrical Switch
- Battery Holder
- SP Speaker
- WC Light Chip
- U1 Music Integrated Circuit
- 2 double snap wires
- 1 triple snap wire

- 1 piece of 4- wire snap wire
- 1 piece of 5 snap wire
- 2 jumper wires

Circuit Wiring Diagram:

