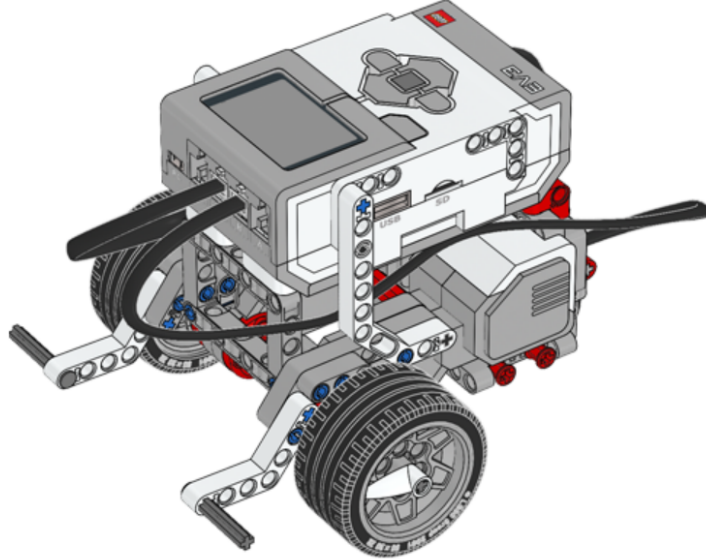


## LEGO

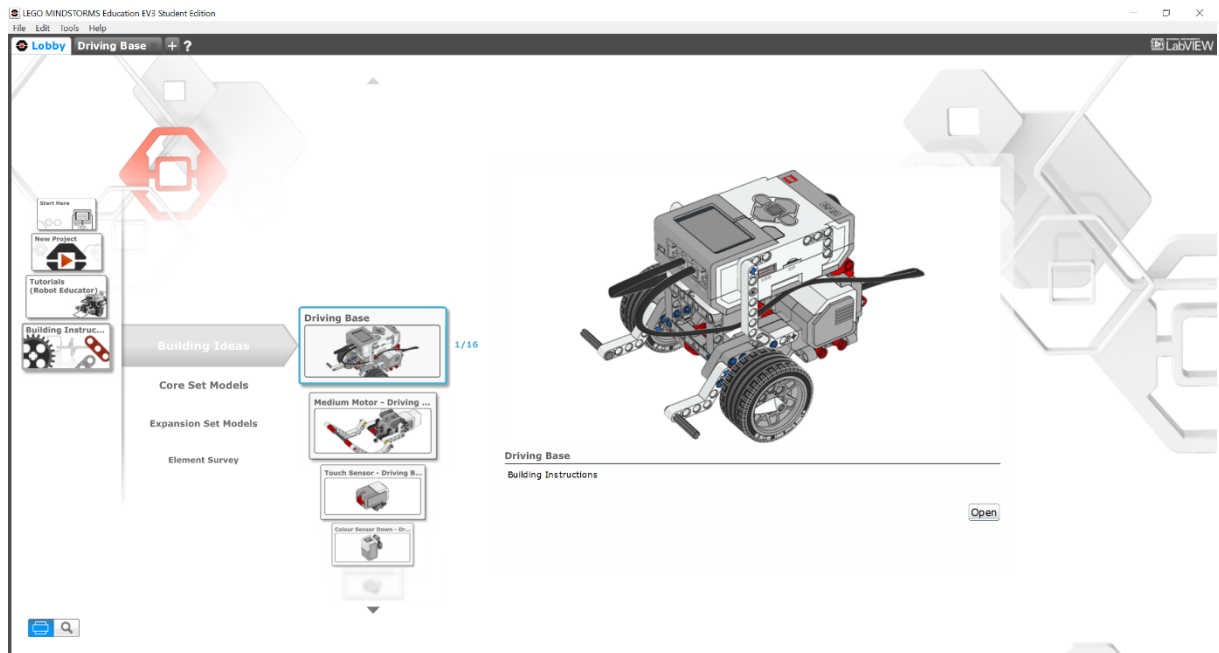
With the Lego set, various products are assembled. The programming logic is understood by using block programming with the assembled product.

The assembly of the following tool is created by following the steps in the LEGO MINDSTORMS EDUCATION EV3 application.

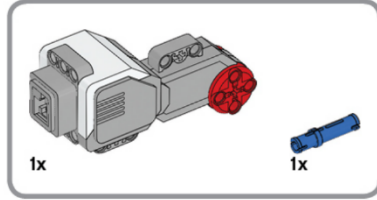


The interface of the LEGO MINDSTORMS EDUCATION EV3 program is shown below. The program can be accessed from this link:

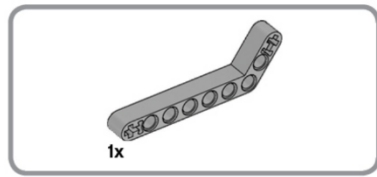
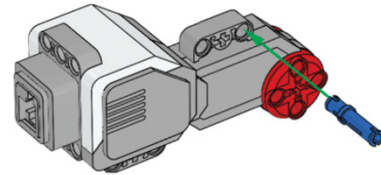
<https://education.lego.com/tr-tr/downloads/retiredproducts/mindstorms-ev3-lab/software>



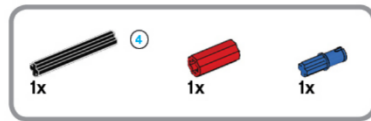
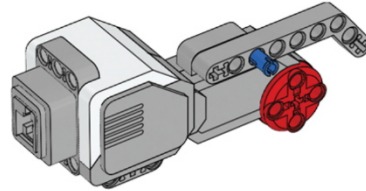
The main body, large and small motors, and various sensors are detailed in the assembly steps, showing how they will be assembled. Assembly is done by following these steps.



1



2



3

